

ASSEMBLY INSTRUCTIONS FOR HORTI 2 SQ LUMINAIRES

Operating temperature range:

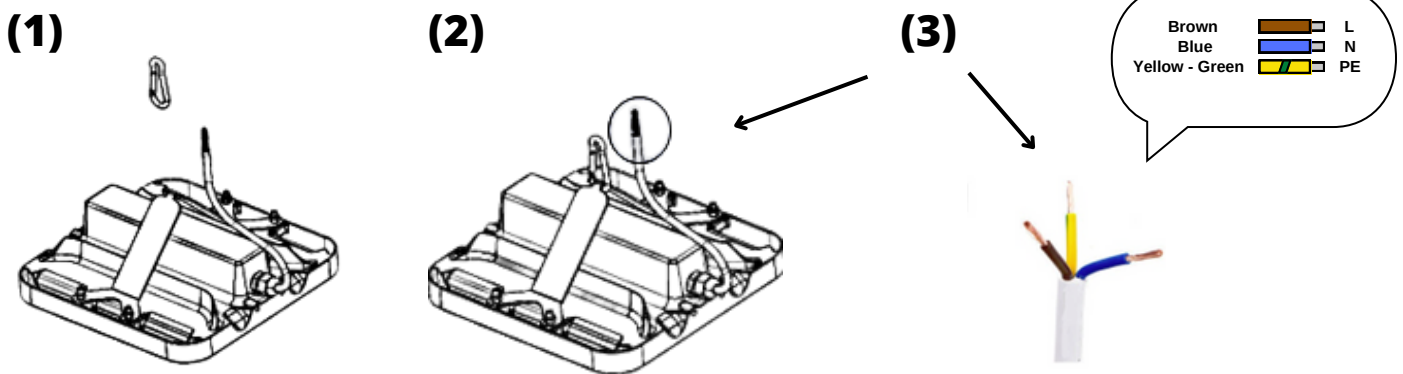
HORTI 2 SQ: +5°C... +40°C

The light source used in the HORTI 2 SQ luminaire should only be replaced by the manufacturer or its service agent or a similarly qualified person. The manufacturer does not provide: screws, wall plugs, slings, carabiners, etc.



Installation

- a) Remove the luminaire from the packaging
 - b) Prepare a rope or chain sling* with a carabiner hook **(1)**
 - c) Clip the carabiner into the handle **(2)**
 - d) Connect the power 230 V AC / 50 Hz:
- Connect the power cord (3x0,5mm² – 3x2,5mm²) to the mains 230 V AC/50Hz **(3)**



Final Provisions:

- connection of the luminaires to the network may only be performed by persons with appropriate authorizations
 - the manufacturer does not recommend and is not responsible for defects resulting from any activities inside the luminaire
 - the manufacturer is not liable for defects resulting from non-compliance with the recommendations of this manual
 - the manufacturer reserves the right to change the design of the product
 - *the slings used should be solid and resistant to stretching.
- Slings, links and chains should have a load capacity of at least five times the weight of the luminaire
- ATTENTION! Do not stare into the light beam of the LED(s).
 - Warning, risk of electric shock.

ATTENTION! Failure to connect the PE wire may cause electric shock

Pursuant to the provisions of the Act of July 29, 2005. on waste electrical and electronic equipment, it is forbidden to place waste equipment marked with the symbol of the crossed out bin with other waste. The user who intends to get rid of the product is obliged to return used electrical or electronic equipment to a waste equipment collection point. Collection points are run, among others, by wholesalers and retailers of this equipment, by municipal organizational units operating in the field of waste collection and recovery organizations. The above statutory obligations were introduced in order to limit the amount of waste generated from waste electrical and electronic equipment and to ensure an appropriate level of collection, recovery and recycling. Details of the Act can be found at: <http://www.gios.gov.pl>

